

BIRDS-II CAD Drawing

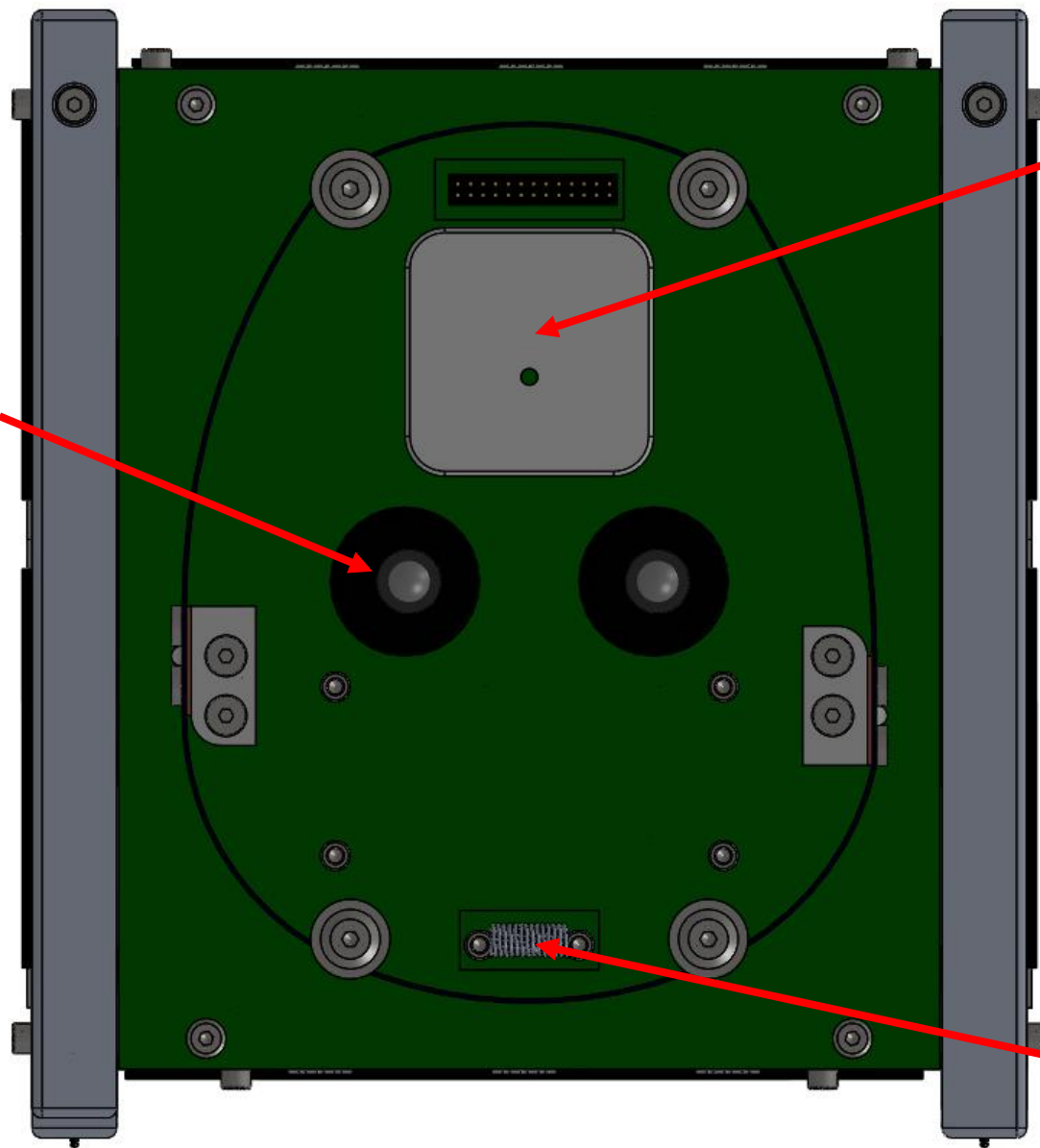
April 2018

+X

Camera

Z

Y

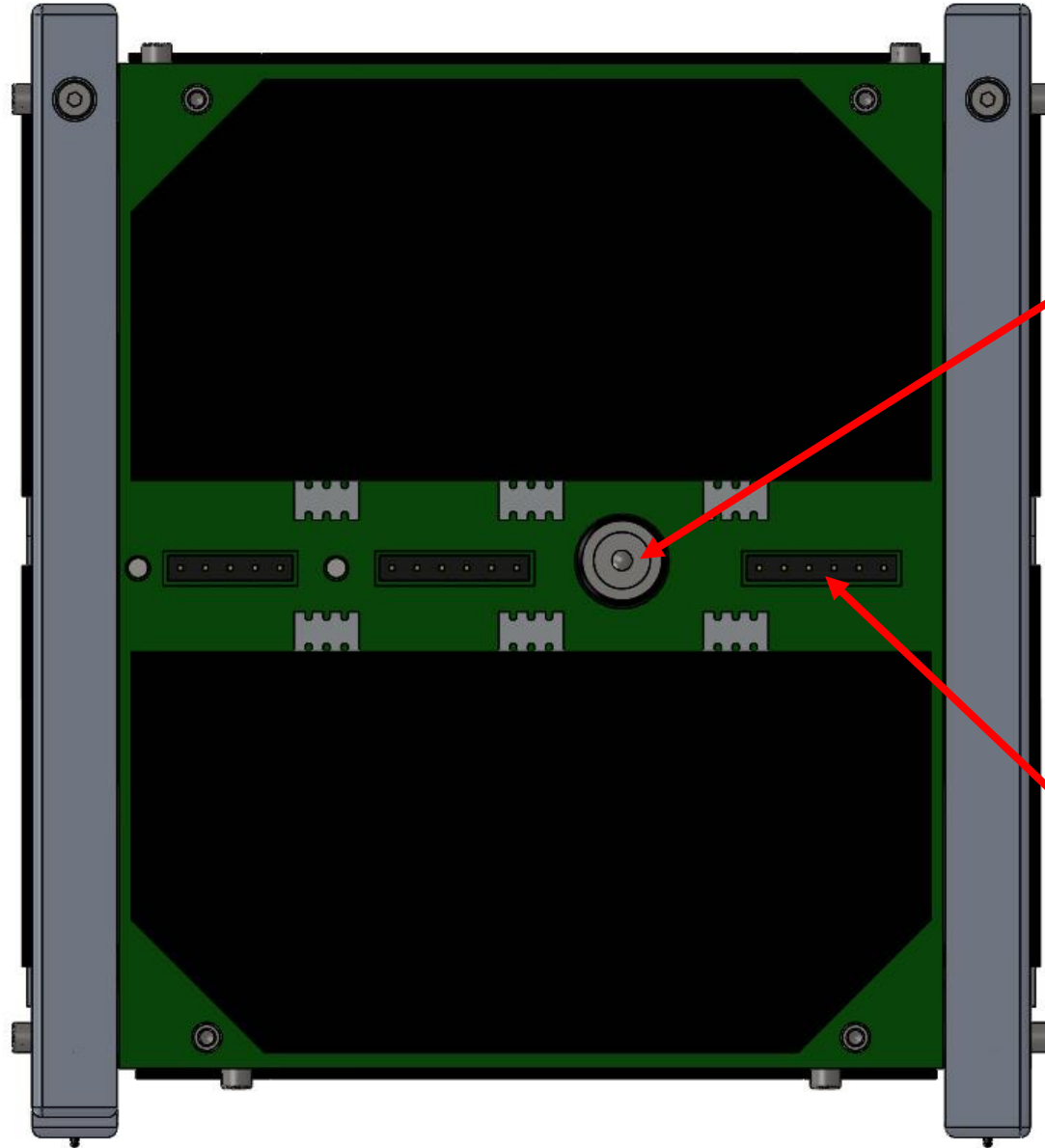
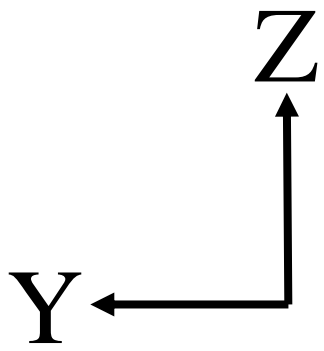


GPS

Patch Antenna

Deployment
Mechanism

-X

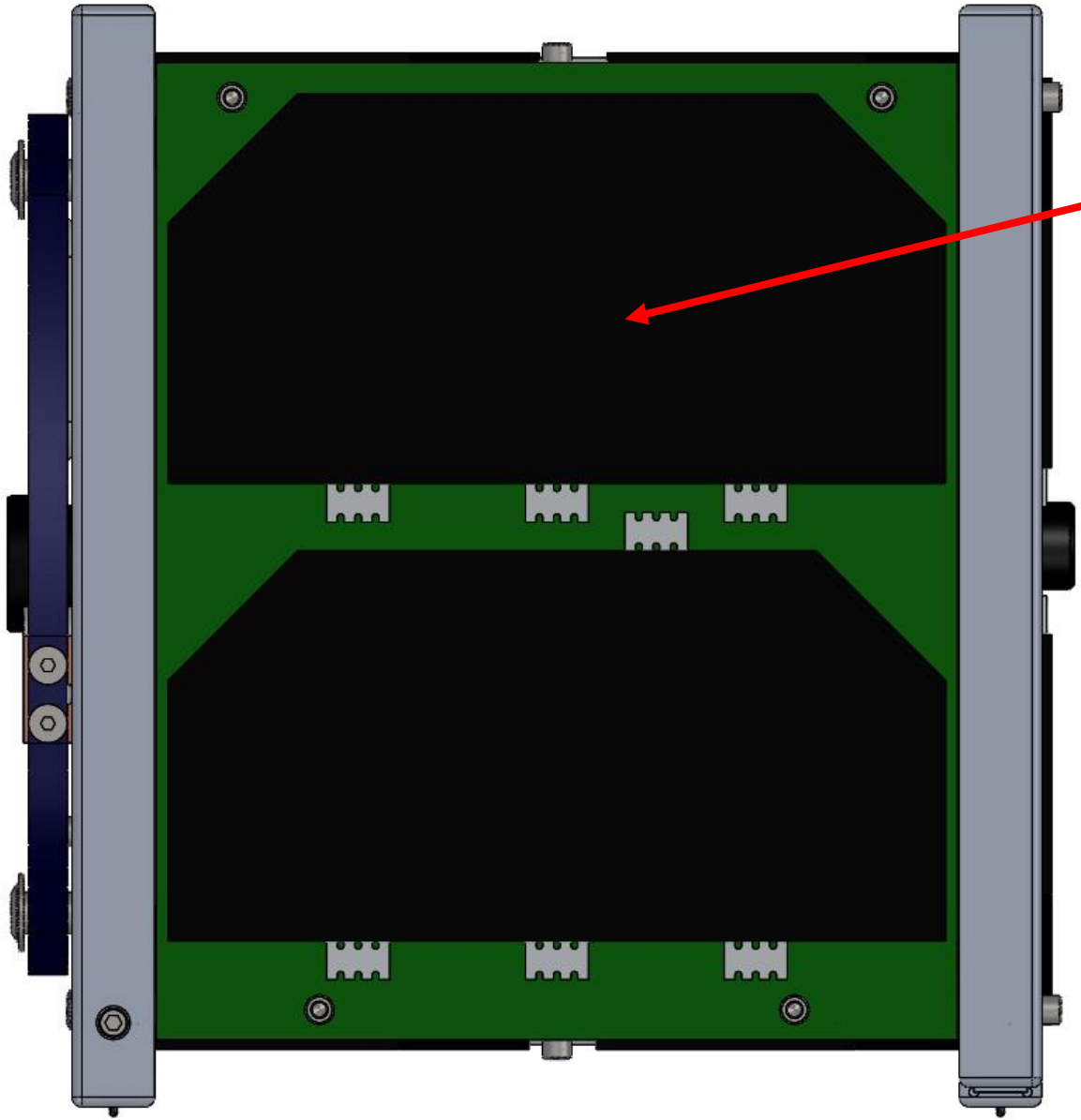


Remove Before
Flight Pin

Access Port

+Y

X
Z

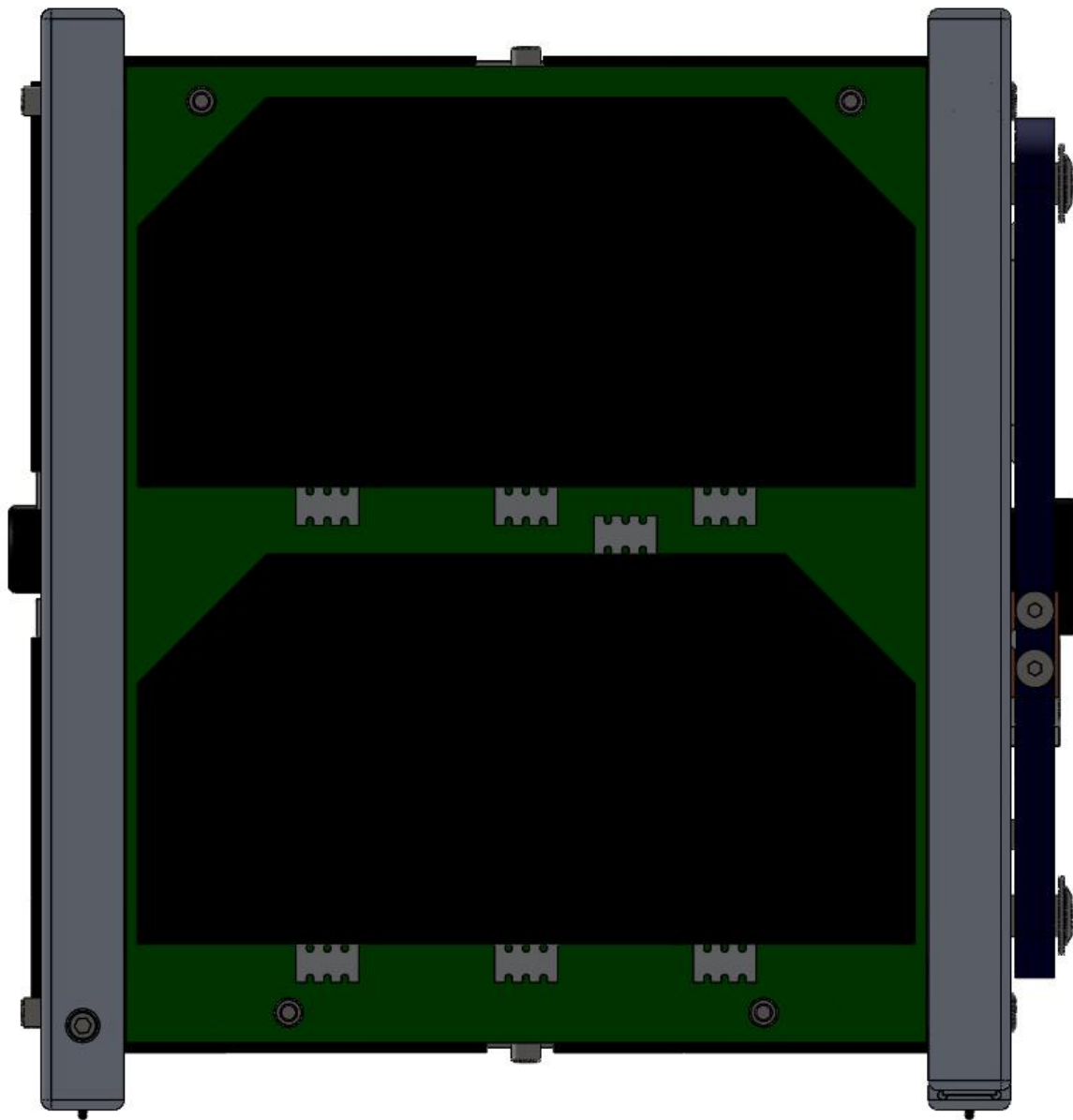


Solar cell

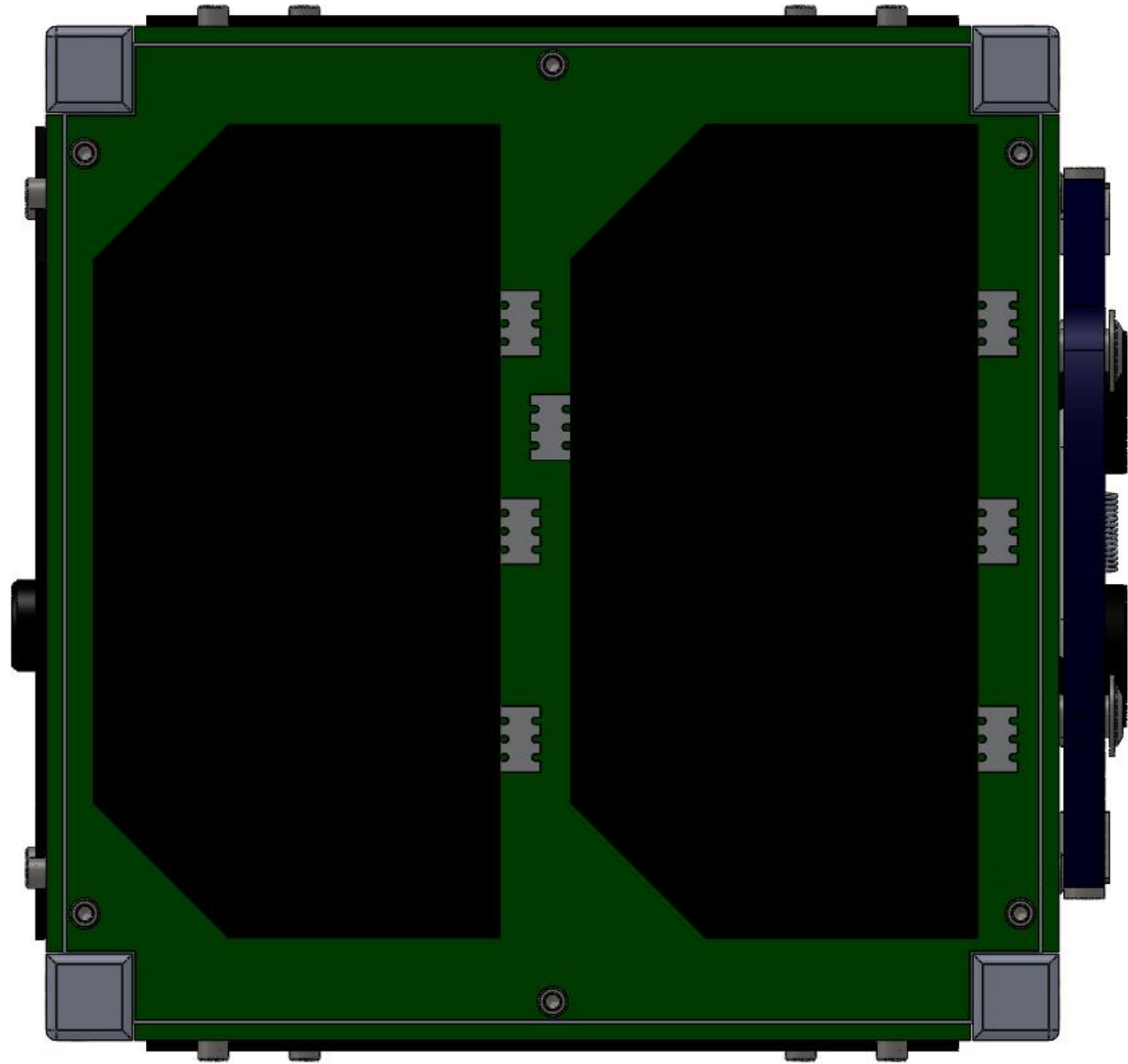
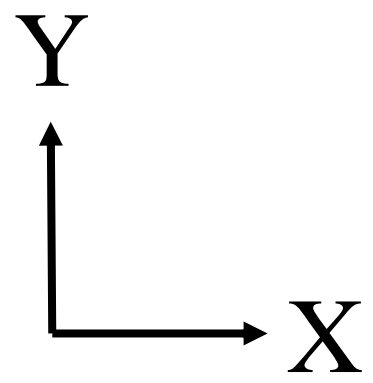
$-Y$

Z

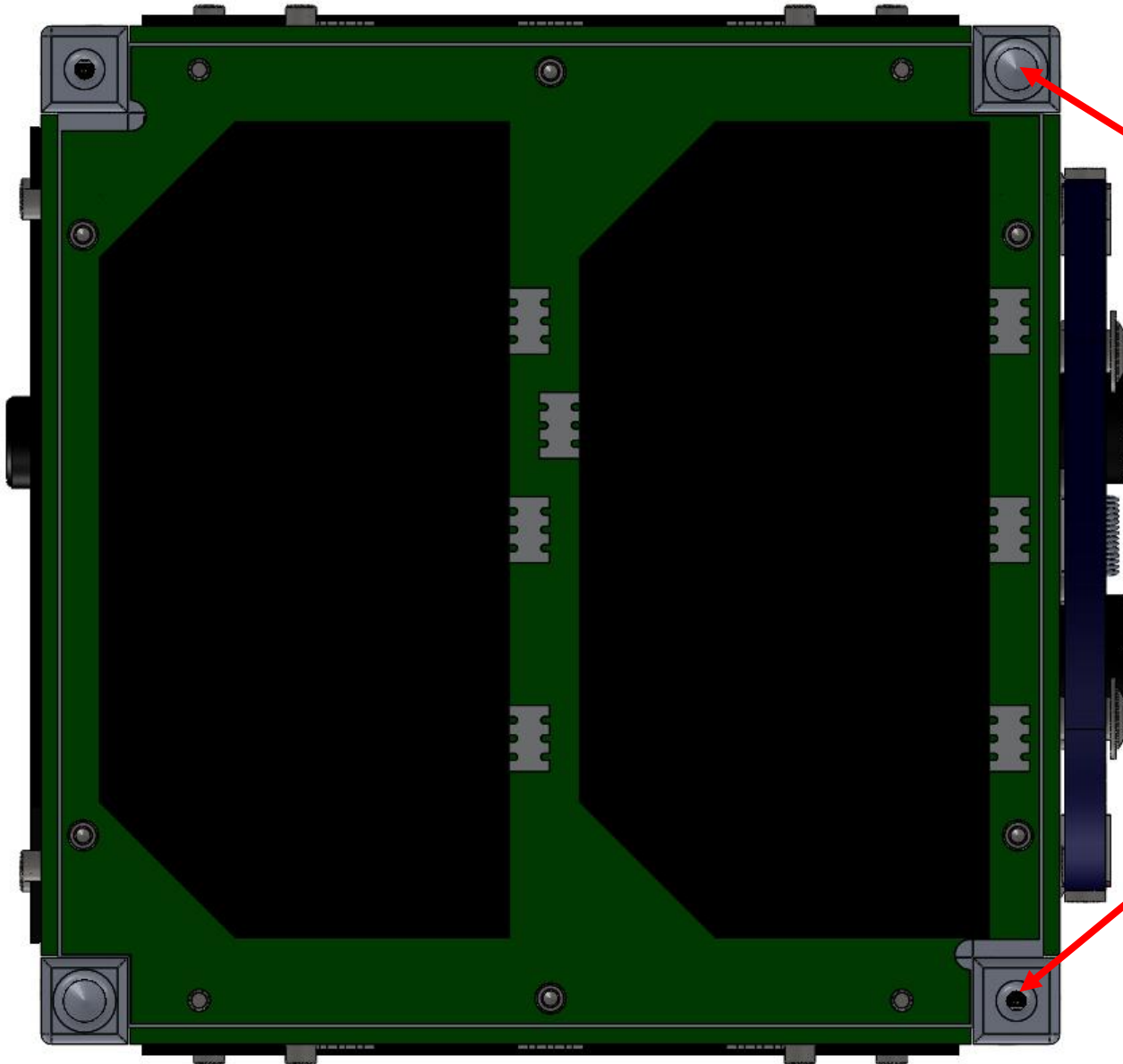
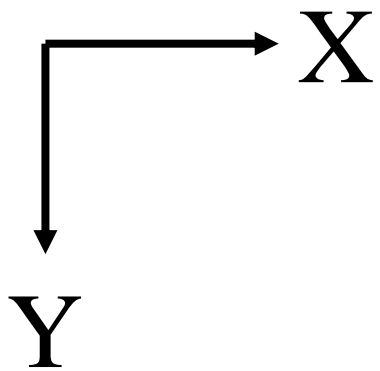
X



+Z

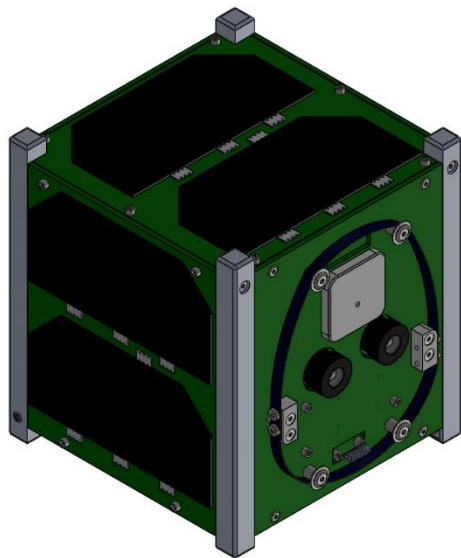


$-Z$

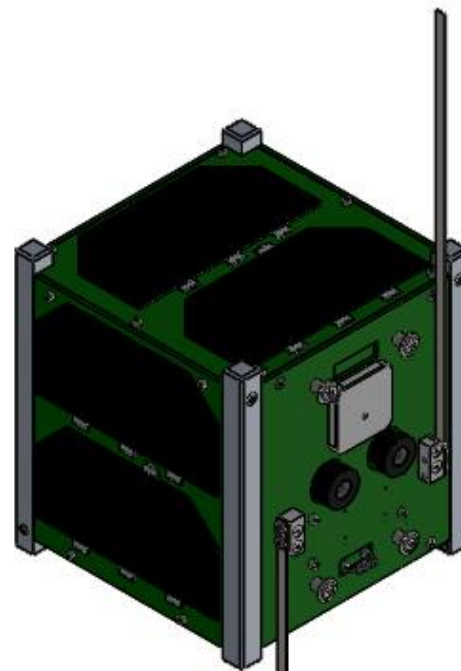


Separation
Spring

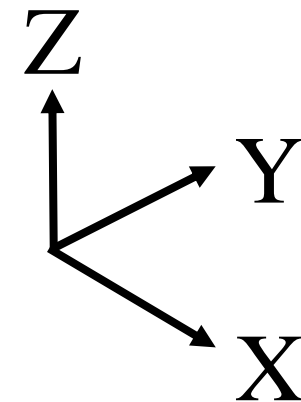
Deployment
Switch



Before
Deployment



After
Deployment



Monopole
Antenna